

## WALK-THROUGH PORTAL FOR EXPLOSIVES DETECTION



High sensitivity and high throughput

Can detect a wide range of explosives in a single scan

Additional substances can be stored in the library

Analysis time is 13 seconds

Operator display can be on the left or right side

Small footprint at 92.5 in. x 57.4 in. x 40 in. (2349 mm x 1459 mm x 1016 mm)

A HIGH-SENSITIVITY, HIGH-THROUGHPUT SYSTEM, THE ENTRYSKAN<sup>®</sup> 4 PORTAL CAN DETECT A BROAD RANGE OF EXPLOSIVES IN SECONDS.

Using patented technology, this compact, redesigned portal model, reduced in height for installations under 8 feet (2.44 meters), can identify even the most challenging substances by detecting and analyzing their microscopic traces. Engineered to dramatically reduce maintenance time, EntryScan<sup>®</sup> 4 features a quick-access panel that puts key system components within arm's reach. Enhanced sample collection assures full-body screening, including the head and shoes. Automatic traffic control features such as a gated exit and audio/ visual walk signals. Easy Maintenance, Compact Size monitoring, and ease of operation make this portal a fundamental part of a customer's checkpoint security solution.

### EASY MAINTENANCE, COMPACT SIZE

Re-engineered and restyled, the EntryScan<sup>®</sup> 4 is shorter, lighter, and has a dramatically smaller external footprint. While its external footprint has been reduced by 17% the EntryScan<sup>®</sup> 4 system design preserves all of the internal walk-through space from previous models for maximum comfort. A quick-access side panel puts key components within easy reach for simple, safe maintenance, reducing "ladder" maintenance time by 63 percent. For convenience and flexibility, the operator display console mounts on the right or the left.

### REMOTE MONITORING WITH THE ENTRYSKAN<sup>®</sup> SECURESTATION<sup>™</sup>

Add on the EntryScan<sup>®</sup> SecureStation<sup>™</sup> option for a versatile, remote monitoring center. It can increase security and efficiency by allowing a single operator to monitor multiple instruments at a glance or multiple operators can monitor one instrument.

### EASY TO USE

Touch screen menus with clear graphical user interface.

Built-in printer for fast hardcopy results or printing at a later date for use as evidence or for record keeping.

Quick analysis and results in as little as 13 seconds.

Software upgrades easy to install.

Local language options available.

### SENSITIVITY/SELECTIVITY

Patented ITMS<sup>™</sup> technology increases ion population, enabling detection of microscopic traces of explosives.

Simultaneous dual-mode detection can help improve detection of peroxide-based explosives.

### VERSATILE

Can detect a wide range of targeted substances.

Semi-permeable membrane excludes dust and dirt and allows continued operation in environments that have high traffic, humidity or contamination.

USB keyboard customized to fit in operator control panel.

USB Flash disk functionality for fast upload and download.

Improved automated, visual/audio prompts with optional use of gates helps control and maintain traffic flow at desired throughput.

Versatile operator touch screen can be located on the left or right side of the system.

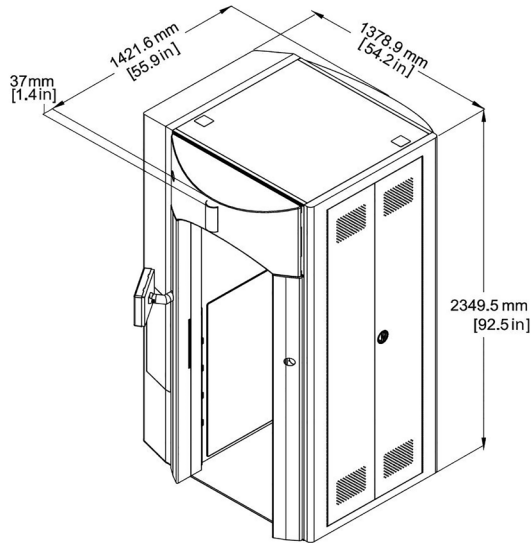
Self-contained, low-noise air system eliminates the need for separate, large air compressor.

10 percent smaller frame and 17 percent footprint reduction from EntryScan<sup>®</sup> 3 allow for use in a greater variety of settings.

18 percent faster throughput.

# ENTRYSKAN® 4

**Rapiscan®**  
systems  
An OSI Systems Company



## PHYSICAL SPECIFICATIONS

Dimensions: Length: 1016 mm (40 in.) portal; 1458.7 mm (57.4 in.) maximum depth  
Width: 1378.9 mm (54.3 in.) portal  
Height: 2349.5 mm (92.5 in.) portal; 1982.9 mm (78.1 in.)  
Weight (Approx.): Net: 341.1 Kg (752 lbs)

## TECHNICAL SPECIFICATIONS

Detector Type: Ion Trap Mobility Spectrometer (ITMS™)  
Analysis Time: Default 13 seconds  
Sample Acquisition: Self-contained air collection  
Power: 200-240 VAC, 20A, 50/60 Hz, single phase  
8A typical, 2.5A in Standby Mode  
Computer: Industrial grade embedded computer  
Printer: Industrial grade embedded computer  
Display: Integrated flat panel with touch screen, 10.4 inches (264.16 mm)  
Signal Processing: Recognition of multiple peaks and multiple explosives  
Output to bar graph display or time-of-flight plasmagram display

With continual development of our products Rapiscan® Systems reserves the right to amend specifications without notice. Product pictures are for general reference. Please note that due to US laws and regulations, not all Rapiscan® products are available for sale in all countries without restriction. Please contact your Rapiscan® Systems sales representative for more information.



Rapiscan® Systems is ISO 9001:2008 Certified

### AMERICAS, CARIBBEAN

2805 Columbia Street  
Torrance,  
California  
90503  
UNITED STATES of AMERICA  
Tel: +1 310-978-1457  
Fax: +1 310-349-2491

### EUROPE, MIDDLE EAST, AFRICA

X-Ray House  
Bonehurst Road  
Salfords  
Surrey RH1 5GG  
UNITED KINGDOM  
Tel: +44 (0) 870-7774301  
Fax: +44 (0) 870-7774302

### ASIA

240 Macpherson Road  
#07-01 Pines Industrial Building  
Singapore  
348574  
SINGAPORE  
Tel: +65-6846-3511  
Fax: +65-6743-9915

[sales@rapiscansystems.com](mailto:sales@rapiscansystems.com)  
[www.rapiscansystems.com](http://www.rapiscansystems.com)